



airis Switch

USER MANUAL

Read the instruction carefully before first use.

Note: DANAGR!!!!HIGH TEMPERATURE!!!

- 1)Once heating chamber with extra bullet installed, the temperature is very high inside, please don't touch it directly with your hand when replace the bullet.
- 2)Always keep the device vertically when using the extra bullet, especially for wax/oil as spillage can occur.
- 3)Vaporization may vary depending on type of material and temperature setting.

2. Turn on/off

- Press the power button 5 times rapidly to turn on/off the device
- The device has a safety power duration function, it will auto shutdown after 3 minutes of use. The device will vibrate to remind you.
- Simply press the power button 5 times rapidly to re-activate it.

7

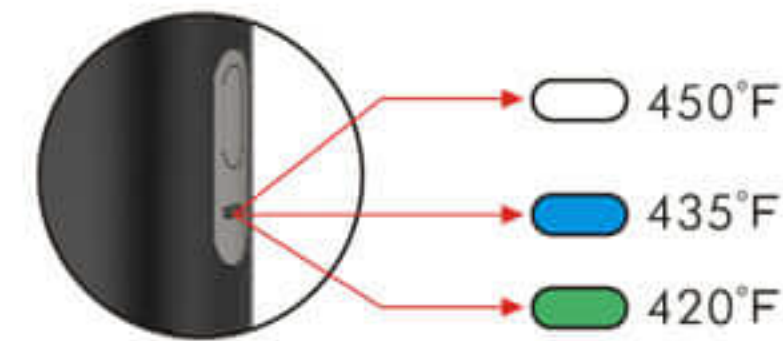
KEY FEATURES

- 1.Unique 360°rotation mouthpiece design
- 2.Patented 3D ceramic heating chamber, pure vapor and no combustion
- 3.Isolated air path, easy to clean
- 4.Three temperature setting, 3in1 baking vaporizer
- 5.Vibration mode and memory function of last temperature used
- 6.2200mAh big battery capacity
- 7.Discreet and universal micro USB charging port

1

3. Temperature setting

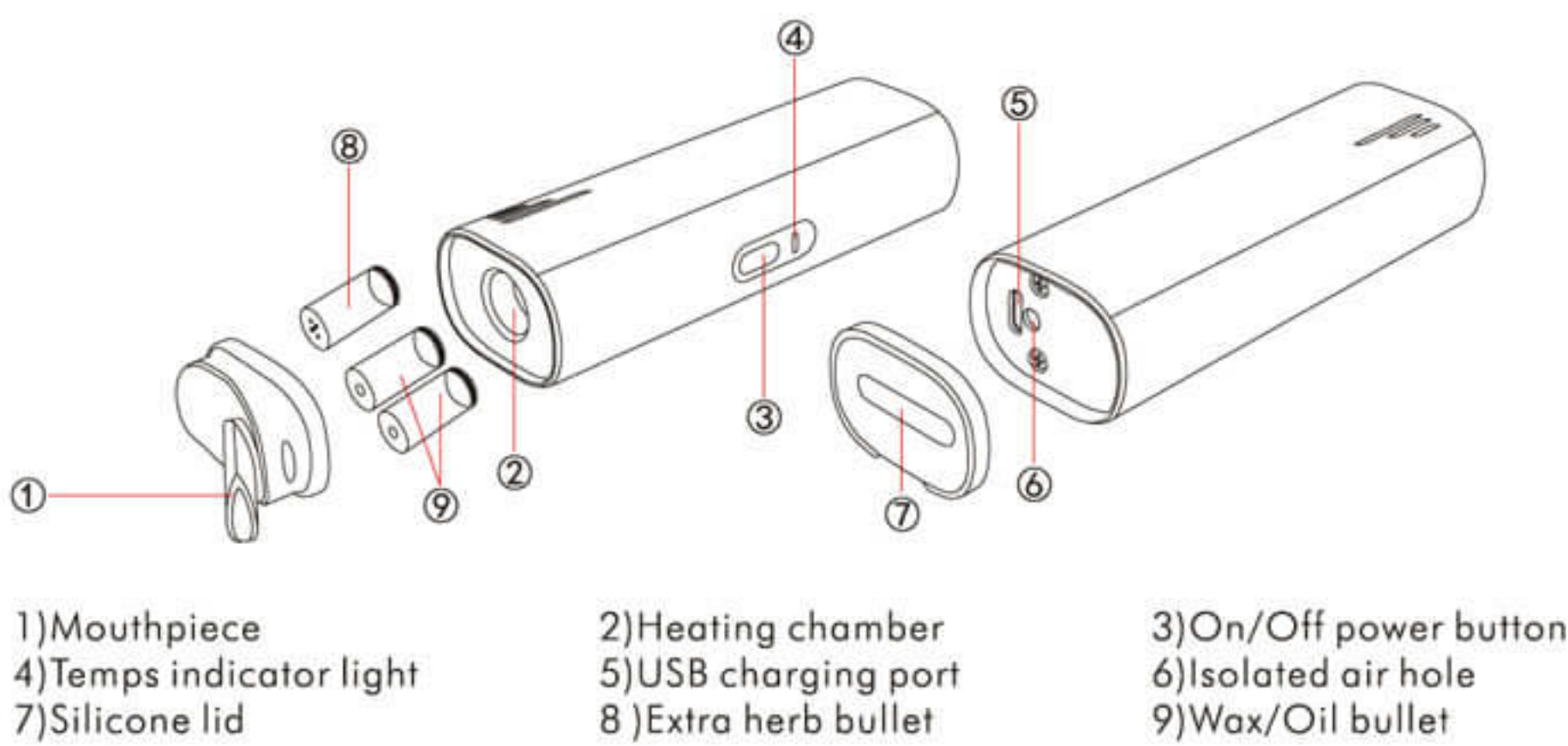
The airis Switch has three temperature settings, it will be showed by the indicate LED light: Green light=420°F(Low),Blue light=435°F(Mid),White light=450°F(High)



- Turn on the device, your temperature will be set as 420°F(the low temps), a green flashing LED light will appear indicating that your device start the heating up process: flashing=heating up mode, solid=desired temps. Also the device will vibrate when reach the desired temps.

8

WHAT IS AIRIS SWITCH



- 1)Mouthpiece
- 2)Heating chamber
- 3)On/Off power button
- 4)Temps indicator light
- 5)USB charging port
- 6)Isolated air hole
- 7)Silicone lid
- 8)Extra herb bullet
- 9)Wax/Oil bullet

2

- Adjust temps: press the power button once, the LED light will change difference color to indicate the heating selecton.
- Keep pressing power button to cycle through the heat settings.
- Wait 3 or 4 seconds before inhaling.

4. Charging

- during operation, a low battery will be indicated by an alterante red LED light flashing 10 times. That means you have to recharging the device. It will shutdown if the battery power become excessively low.
- To charge, just remove the silicone lid and use the provide micro USB cable, a red LED light will appear: solid=charging,disappear=full charge.
- A full charge be recommended before first use and it will take around 2-3 hours from empty to full charge.

9

KIT INCLUDED

- 1 airis Switch device
- 1 Extra herb bullet
- 1 Wax bullet
- 1 Oil bullet
- 2 Extra silicone lid
- 3 Pipe cleaner
- 1 Fiber carry bag
- 1 USB charging cable
- 1 Cleaning brush
- 1 Dab tool
- 1 User manual
- 1 Gift box

3

5. Cleaning & Maintenance

- lock the device before cleaning, remove the magnetic mouthpiece and empty the ceramic chamber completely.
- To clean the ceramic heating chamber, use the cleaning brush to gently remove any excess particles inside and around the chamber, as below:



10

HOW TO OPERATE

1. Loading

A. To load the dry herb, please follow steps:

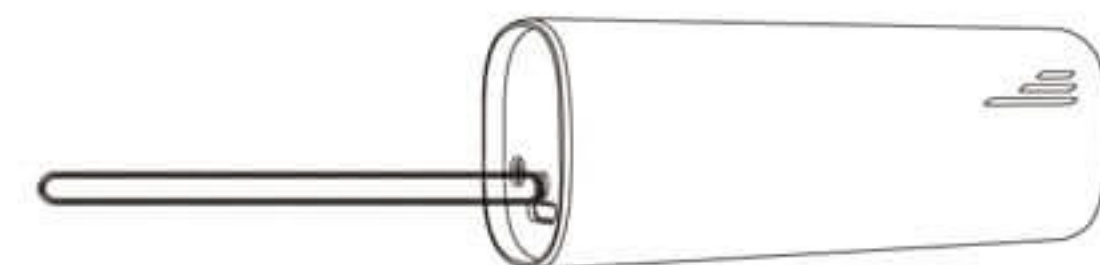
- Remove the magnetic mouthpiece from the ceramic chamber.
- Load the chamber full with grinded dry herb(always make sure to finely grind your materials before vaporizing), but don't over-pack because proper airflow is needed for best results.
- Re-attach the mouthpiece back once your device has been applied.

Note:

- 1)Using the ceramic heating chamber with waxes or essential oil will damage the device if any material drips into the heating element.
- 2)Vaporization may vary depending on type of material and temperature setting.

4

- To clean the airflow path, use the provided pipe cleaner.



- To clean the silicone lid, just remove it from the device and then throw it into hot water, or u can replace a new one by yourself.

Note:

- 1)While using the device, portions of the device may reach high temperatures. Don't clean or disassemble it until all partions has cooled completely.
- 2)Don't immerse the device in any kind liquid, it will damage the heating element.

11

PS: You also can load the dry herb with extra herb bullet (it has 5 small hole at bottom), as below:



- unscrew the cap. Step 1
- Load the bullet with dry herb. Step 2
- Connect the bullet with magnetic mouthpiece. Step 3
- Re-attach the whole part back with the device body. Step 4

5

WARRANTY

- 1 year limited warranty from the date of retail purchase by the original purchaser.
- If physical defect arises and a claim is received within the warranty period, we will fix it or replace with a new one.
- We will not be held responsible for any special, consequential or incidental damages by the use or misuse of the products and is not responsible for any damage caused by inappropriate, incorrect or irresponsible use of the products.

12

B. To load the waxes essential oils:

Wax and oil require the high heating setting as well as use of the extra wax/oil bullet. (It has a vertical bar in the middle of the chamber)

- To load the wax or oil, just unscrew the cap. Step 1
- Fill the wax with dab tool or the oil with needle bottle into the bullet. (just a little bit)Step 2
- Connect the bullet with magnetic mouthpiece. Step 3
- Re-attach the whole part back with the device body. Step 4



6

CAUTIONS

- Read this user guide carefully before using the device.
- Do not use it while damaged.
- This product may include small parts, keep out of reaching of children and pets.
- This product in intended for using by person of legal age. Non-smokers, children, and women breast-feeding should not use this product.
- This product is not a medical device and it not intended to diagnose, cure or prevent any diseases or other conditions.