



Herbva X

USER MANUAL

Read the instruction carefully before first use.

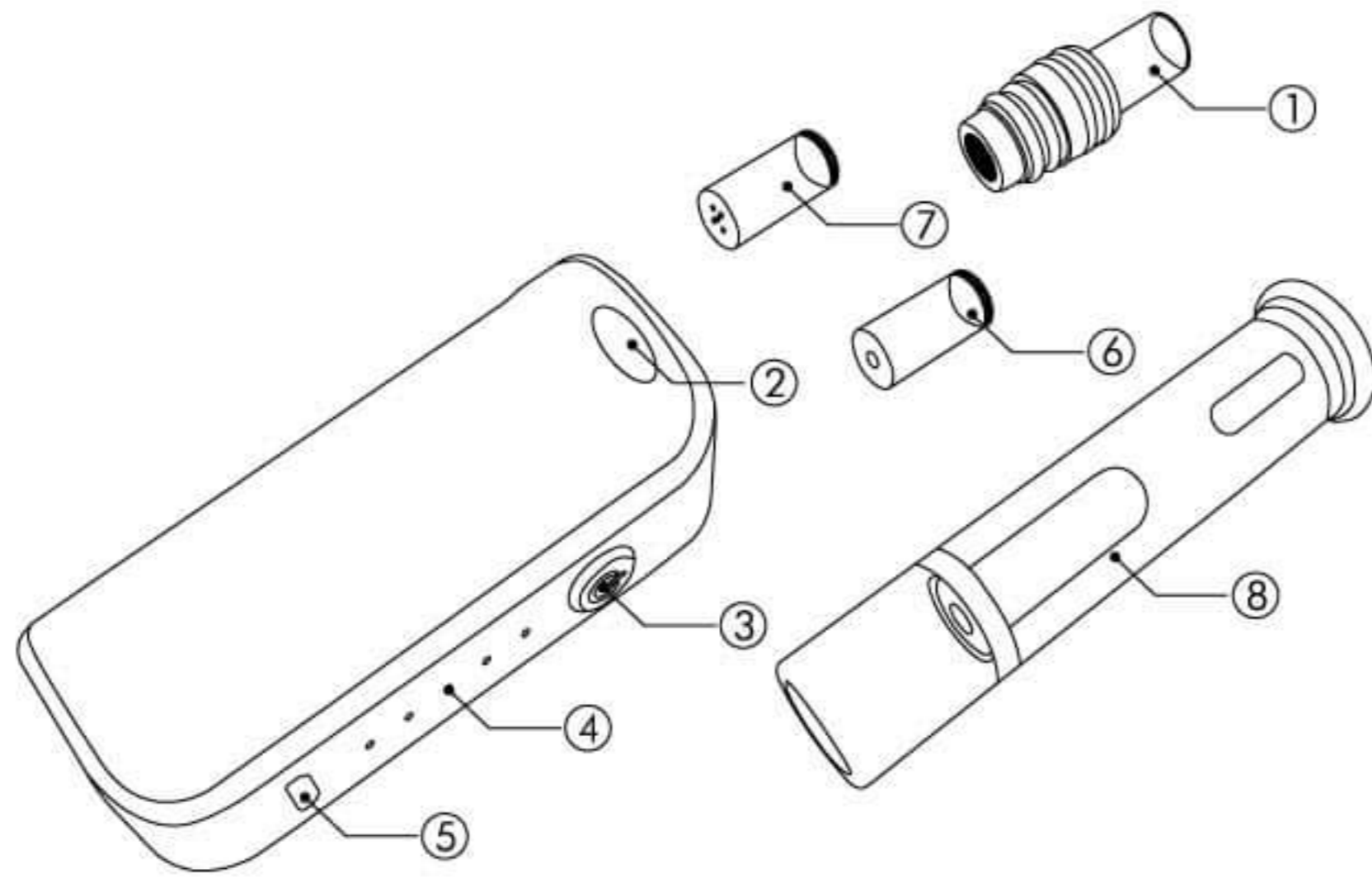
KEY FEATURES

1. Absolutely 3in1 baking vaporizer, no combustion
2. Bigger ceramic heating chamber, pure vapor
3. 5 temperate setting, easy to handle
4. Portable size
5. Universal micro USB charging port
6. Memory function of last temperature used

①

WHAT IS HERBVA X

- 1) Glass mouthpiece
- 2) Heating chamber
- 3) On/Off power button
- 4) Temperature indicator light
- 5) USB power port
- 6) Wax/Essential oil bullet
- 7) Extra Herb bullet
- 8) Water bubbler attachment (Sold separately)



②

KIT INCLUDED

- 1 Herbva X device
- 1 Herb bullet
- 2 Wax/essential oil bullet
- 2 Extra silicone ring
- 1 Water bubbler attachment (Sold separately)
- 1 Fiber carry bag
- 1 USB charging cable
- 1 Cleaning brush
- 1 Dab tool
- 1 User manual
- 1 Gift box

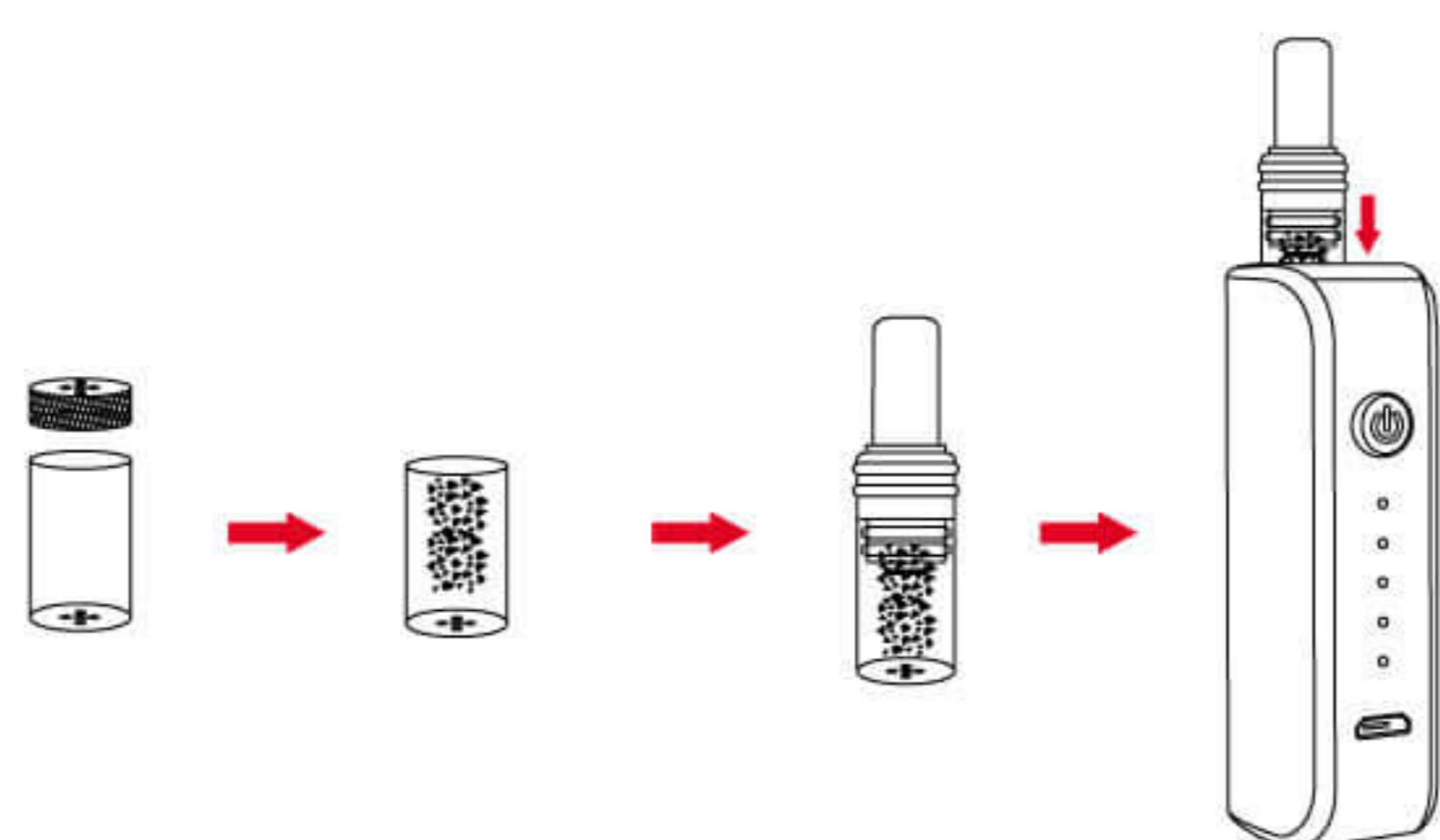
③

HOW TO OPERATE

1. Loading
 - To load the dry herb, please follow steps:
 - Remove the glass mouthpiece from the ceramic heating chamber
 - Fill the chamber full with dry herb (always make sure to finely grind your materials before vaporizing), but don't over-pact because proper airflow is needed for best results.
 - Re-attach the mouthpiece back once your device has been applied.
- Note: Using the ceramic heating chamber with waxes or essential oil will damage the device if any material drips into the heating element.

④

PS: You also can load the dry herb with extra herb bullet, as below:

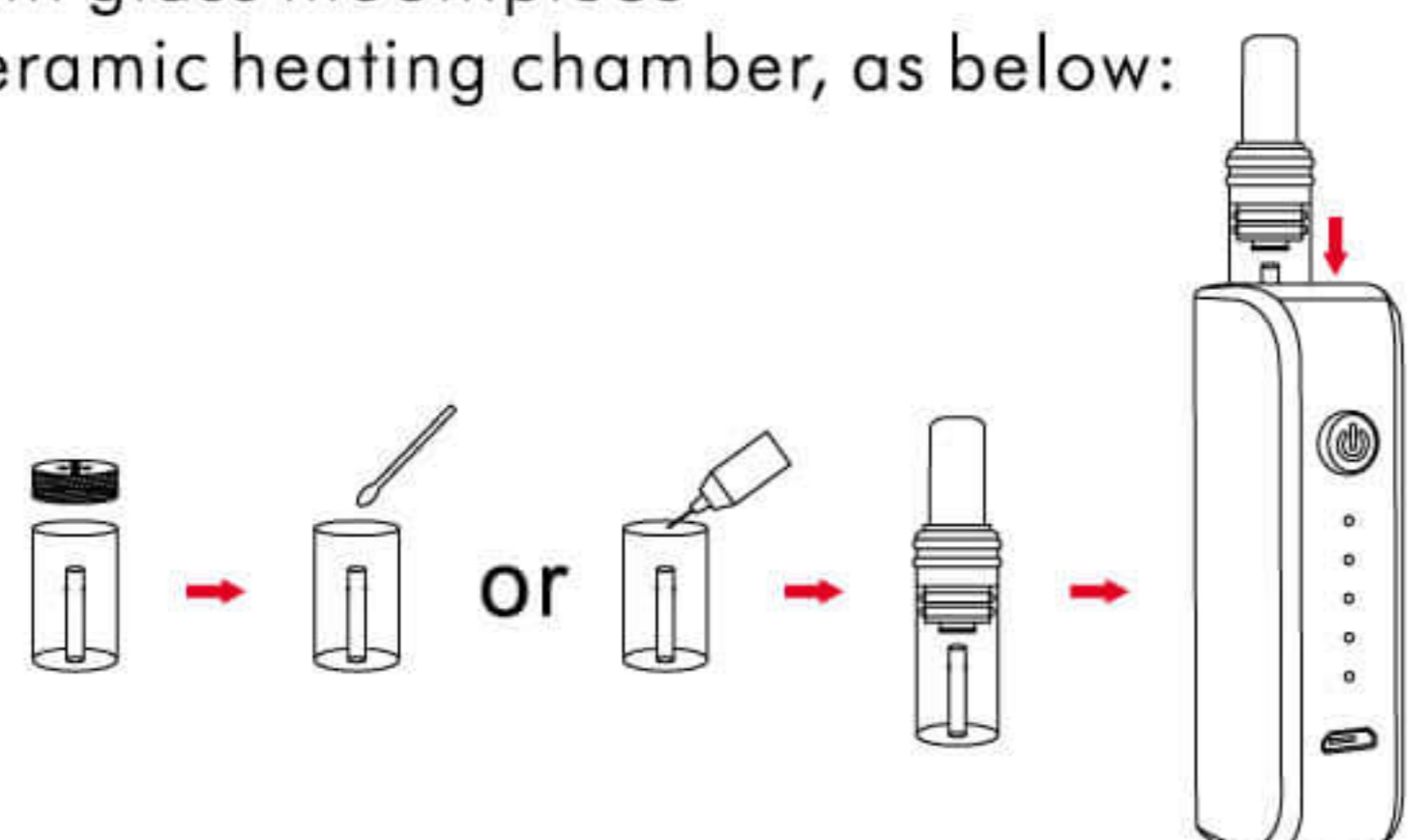


- To load the waxes essential oils:

Wax and oil require the high heating setting as well as use of the extra wax/oil bullet. It has a vertical bar in the middle of the chamber and some small hole around the vertical bar, in this way it will allow more air flow.

⑤

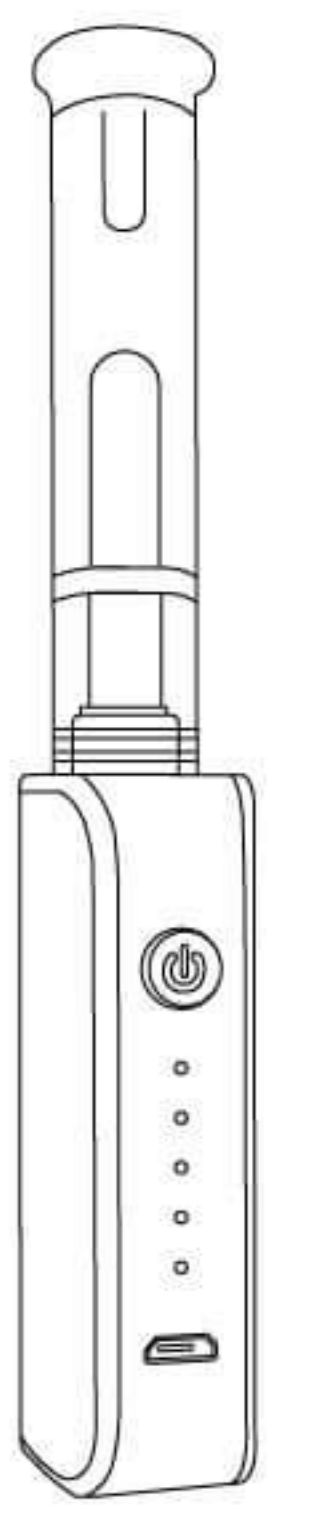
- To load the wax or oil, fill the wax with dab tool or the oil with needle bottle into the bullet.
- Screw the bullet with glass mouthpiece
- Install it into the ceramic heating chamber, as below:



⑥

Note: DANGER!!! HIGH TEMPERATURE!!!

1. Once heating chamber with extra bullet installed, the temperature is very high inside, please don't touch it directly with your hand when replace the bullet.
2. We recommend use with glass bubbler attachment to enjoy it. It will cool down the vapor and has a pure taste.
3. Always keep the device vertically when using the extra bullet, especially for wax/oil as spillage can occur.
4. Vaporization may vary depending on type of material and temperature setting.



⑦

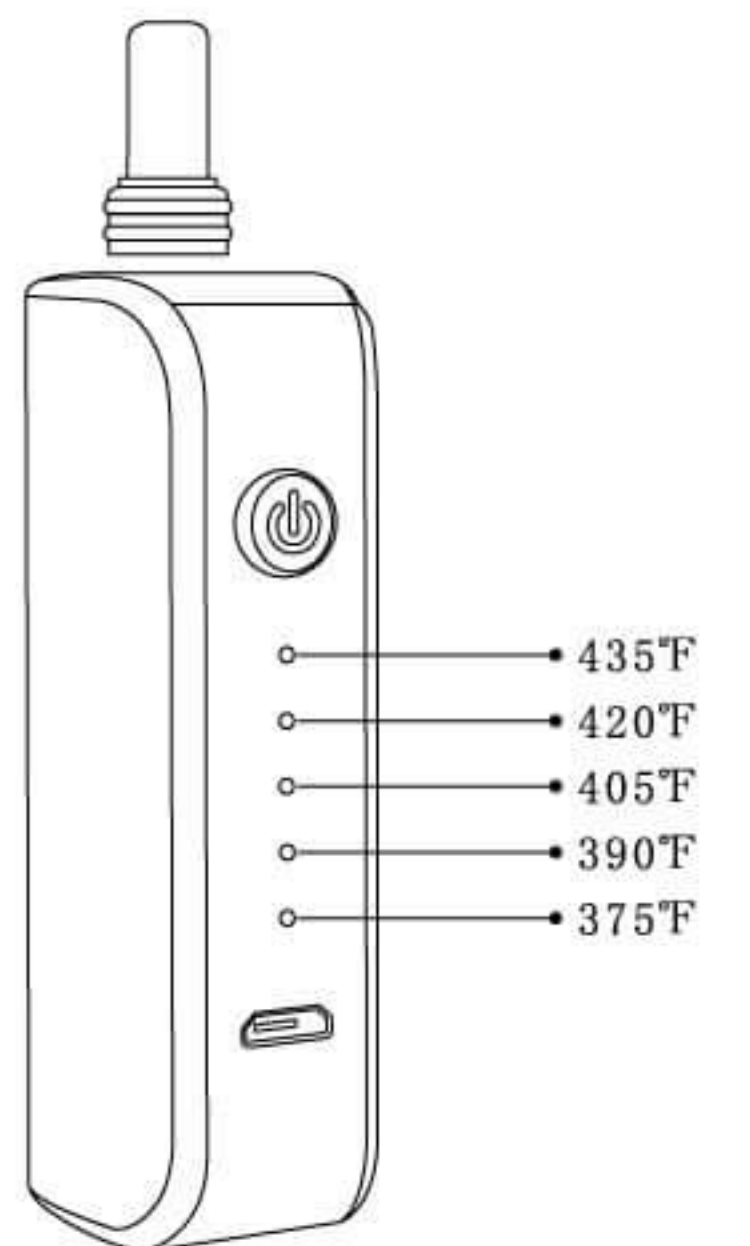
2. Turn on/off

- Press the power button 5 times rapidly to turn on/off the device.
- The device has a safely power duration function, it will auto shutdown after 3 minutes of use, simply press the power button 5 times rapidly to re-activate it.

⑧

3. Temperature setting

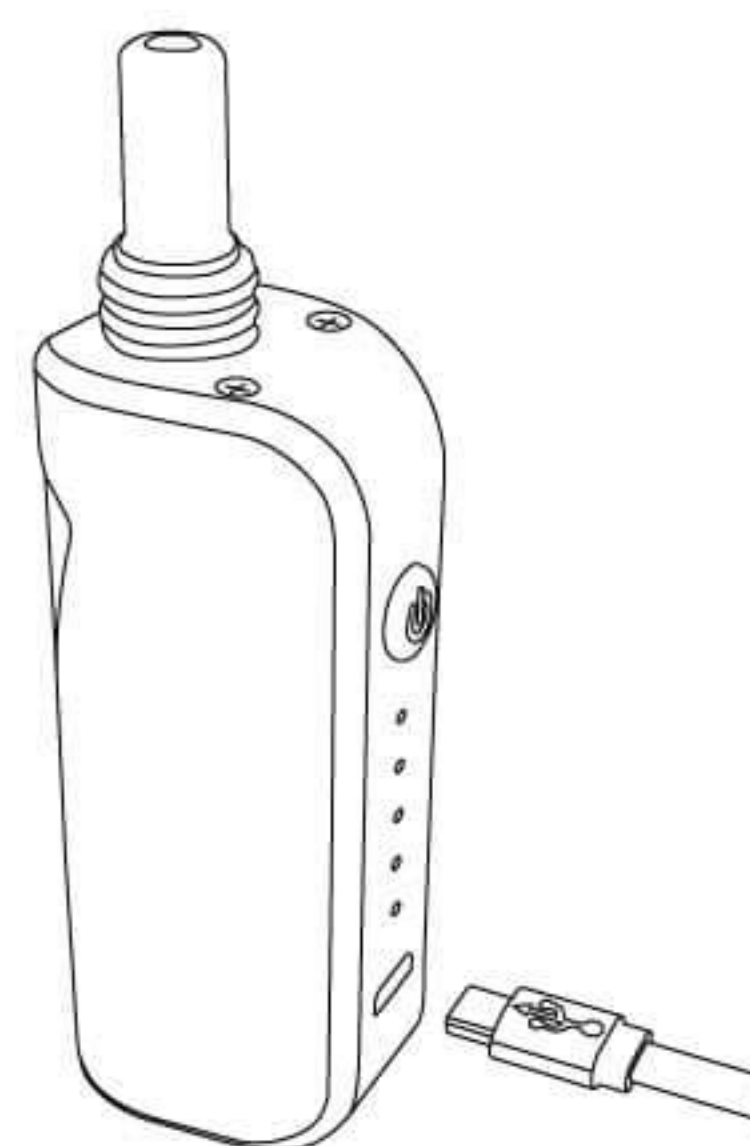
- Herbva X has five temperate settings: 375°F, 390°F, 405°F, 420°F and 435°F (As picture showed)
- Turn on the device, your temperature will be set as 375°F, the indicate LED light will be in the first position. The LED light will appear on power button: flashing = heating up mode, solid = desired temps.
 - Adjust temps: press the power button once, the green indicate light will move to the next position to indicate the 2nd heat selection.
 - Keep pressing power button to cycle through the heat settings. Wait 3 or 4 seconds before inhaling through the mouthpiece or water bubbler attachment.



⑨

CHARGING/BATTERY INFORMATION

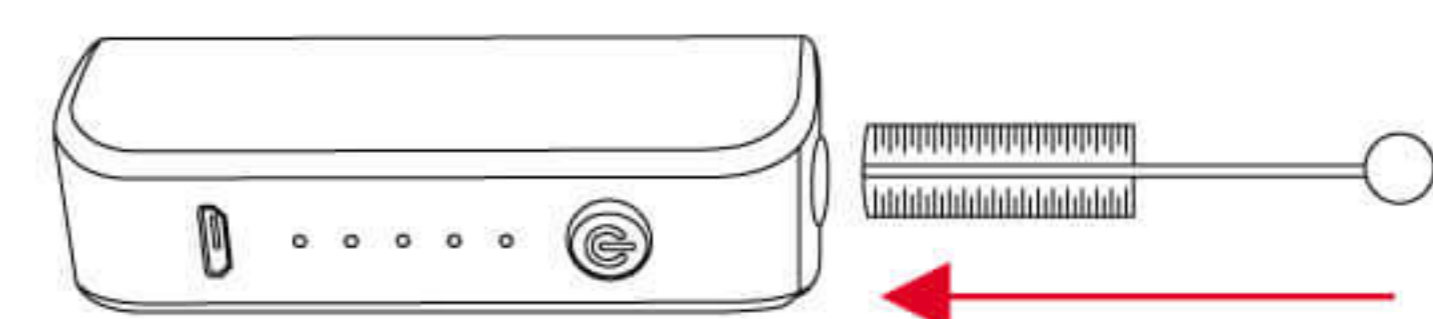
- When the device turn on, the LED light on power button will indicate the battery power: green = 70%-100% power, blue = 30%-70% power, red = less then 30%.
- During operation, a low battery will be indicated by an alternate red LED light flashing 10 times. That means you have to recharging the device. The device will shutdown if the battery becomes excessively low.
 - To charge, use the provide micro USB cable, a LED light will appear: solid = charging, disappear = full charge
 - A full charge is recommended before first use and it will take around 2-3 hours from empty to full charge.



⑩

CLEANING AND MAINTAINING

- Lock the device before cleaning, remove the mouthpiece and empty the chamber completely.
- To cleaning the heating chamber, use the cleaning brush to gently remove any excess particles inside and around the chamber.



- Note:
1. While using the device, portions of the device may reach high temperatures. Don't clean or disassemble the device until all portions of the device has cooled completely.
 2. Don't immerse the device in liquid of any kind, it will damage the heating element)

⑪

WARRANTY

- 1 year limited warranty from the date of retail purchase by the original purchaser.
- If physical defect arises and a claim is received within the warranty period, we will fix it or replace with a new one.
- We will not be held responsible for any special, consequential or incidental damages by the use or misuse of the products and is not responsible for any damage caused by inappropriate, incorrect or irresponsible use of the products.

⑫

CAUTIONS

- Read this user guide carefully before using the device.
- Do not use it while damaged.
- This product may include small parts, keep out of reaching of children and pets.
- This product is intended for using by person of legal age. Non-smokers, children, and women breast-feeding should not use this product.
- This product is not a medical device and it not intended to diagnose, cure or prevent any diseases or other conditions.