



## Nokiva USER MANUAL

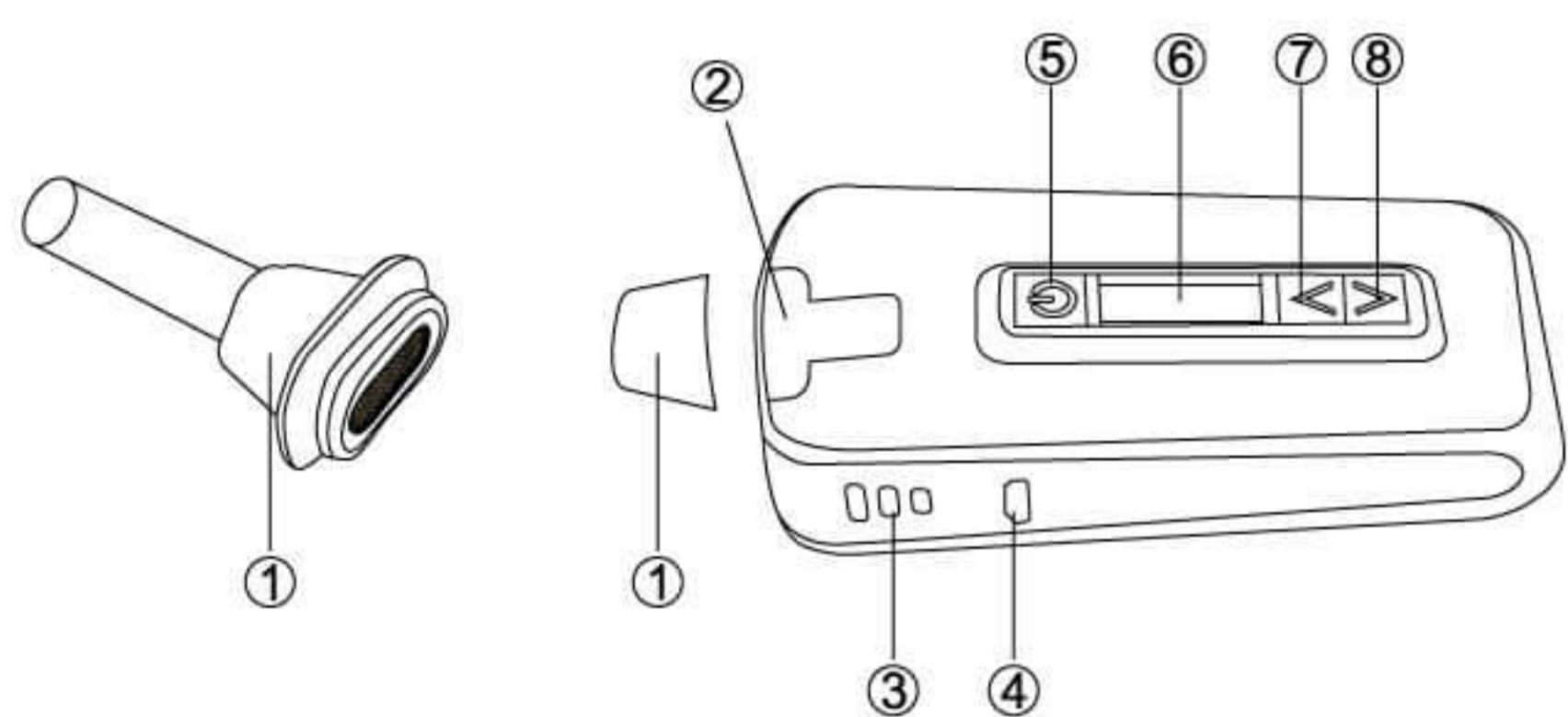
Read the instruction carefully before first use.

### KEY FEATURES

1. Absolutely baking vaporizer, no combustion
2. Pure ceramic heating chamber
3. Digital OLED screen
4. Fahrenheit and celsius interchangeable
5. Universal micro USB charging port
6. Portable size
7. Memory function of last temperature used

①

### WHAT IS NOKIVA



- 1) Mouthpiece
- 2) Heating Chamber
- 3) Air Flow Hole
- 4) Micro USB Power Jack

- 5) On/Off Button(Power Button)
- 6) OLED Display
- 7) Increase Temps Button
- 8) Decrease Temps Button

②

### KIT INCLUDED

- 1 Nokiva device
- 1 Flat mouthpiece
- 1 Fiber carry bag
- 1 Glass mouthpiece
- 4 Silicone ring
- 1 USB charging cable
- 1 Cleaning brush
- 1 Dab tool
- 1 User manual
- 1 Gift box

③

### HOW TO OPERATE

#### 1) Loading the device

To load the dry herb, please follow below steps:

- Remove the mouthpiece from the heating chamber by lightly pushing the tip of the mouthpiece forward.
- Fill the chamber full with dry herb(always make sure to finely grind your materials before vaporizing), but don't over-pack because proper airflow is needed for best results.
- Re-attach the mouthpiece back once your device has been applied.

#### Note:

**Vaporization may vary depending on type of material and temperature setting.**

④

#### 2) Turning on/off the device

Turn on :Once loading the device, press the power button 5 times in rapid succession.

Turn off: Press the power button 5 times again to turn off the device.

Auto shutdown: the device has a safety power duration function, the unit will auto shutdown after 5 minutes of use.

Simply press the button 5 times rapidly to re-activate the device.

#### 3) Temperature setting:

-When the device turn on, your temperature will be set at 375°F, a flashing blue LED light will appear and the OLED screen will display the word "Heat" to show that the device is heating up. When the indicator light become solid blue the desired temperature is reached and the OLED screen will display the word "Warm".

⑤

-To change your setting temperature, pressing the </> button one time, you can increase or decrease the desired temperature while the device is heating. Press and hold the </> button, you can increase or decrease the temperature continuously. The device is capable of reaching any temperature within the range of 300°F to 435°F(149°C-224°C)

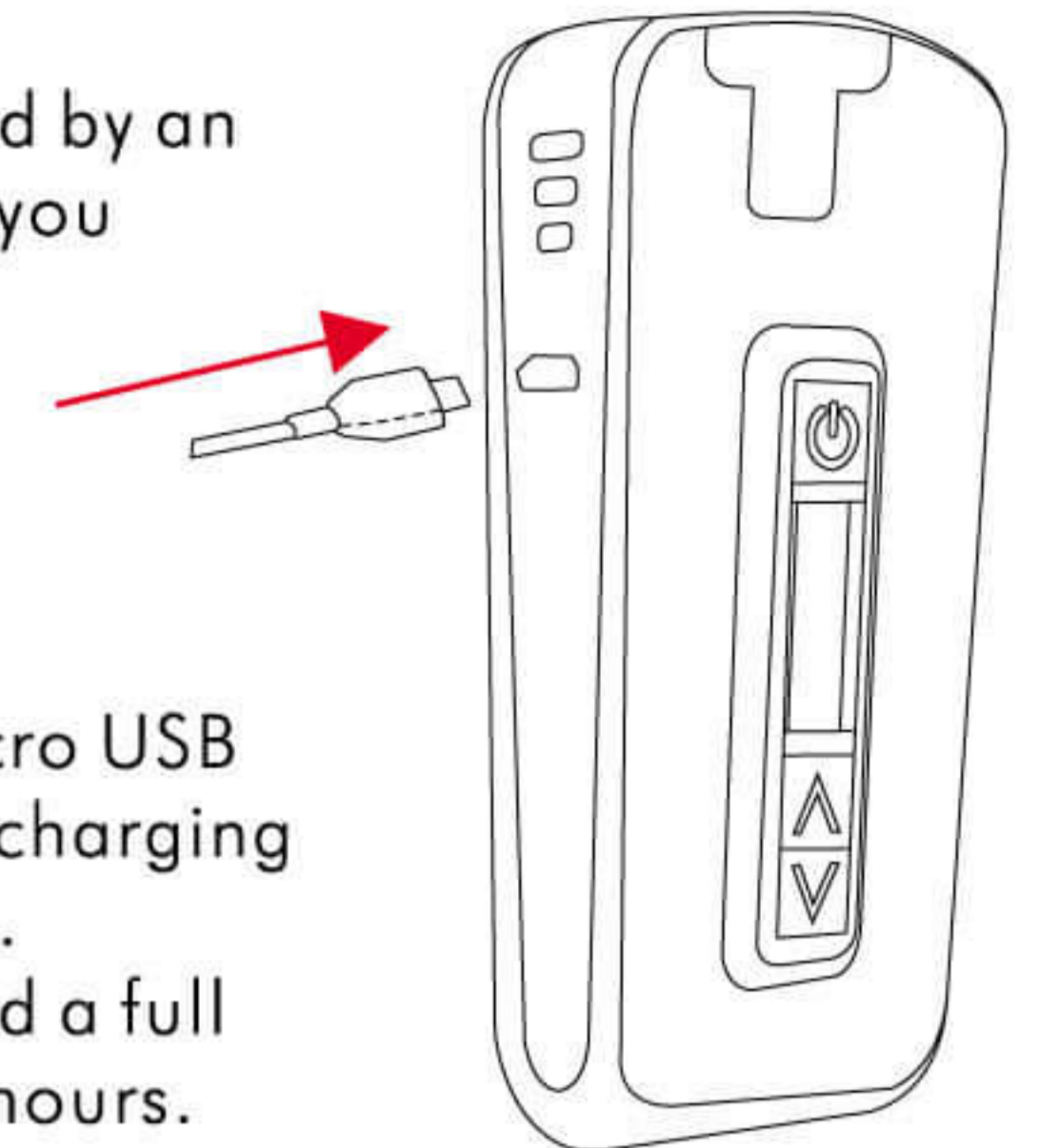
-Press and hold the power button for 3 seconds, you can shift the temperature from Fahrenheit system(°F) to Celsius system(°C).

-The device comes equipped with memory data function, when it turn on again, it will automatically heat to the last time heating temperature selected.

⑥

### CHARGING/BATTERY INFORMATION

-During Operation, a low battery will be indicated by an alternate red light flashing 10 times. That means you have to recharging the device. The device will shutdown if the battery becomes excessively low.(Attention: The device should not be used while charging)



-To charge, plug provided USB cable into the micro USB power jack. A slowly flashing blue light indicates charging in process. A solid blue light indicates full charge.

-A full charge is recommended before first use and a full charge from empty to full may take around three hours.

⑦

#### Note:

1. Device contains Lithium-ion battery, pls be sure to discard of them in proper receptacle. Don't dispose of in trash. Don't overcharge it and short circuit it.

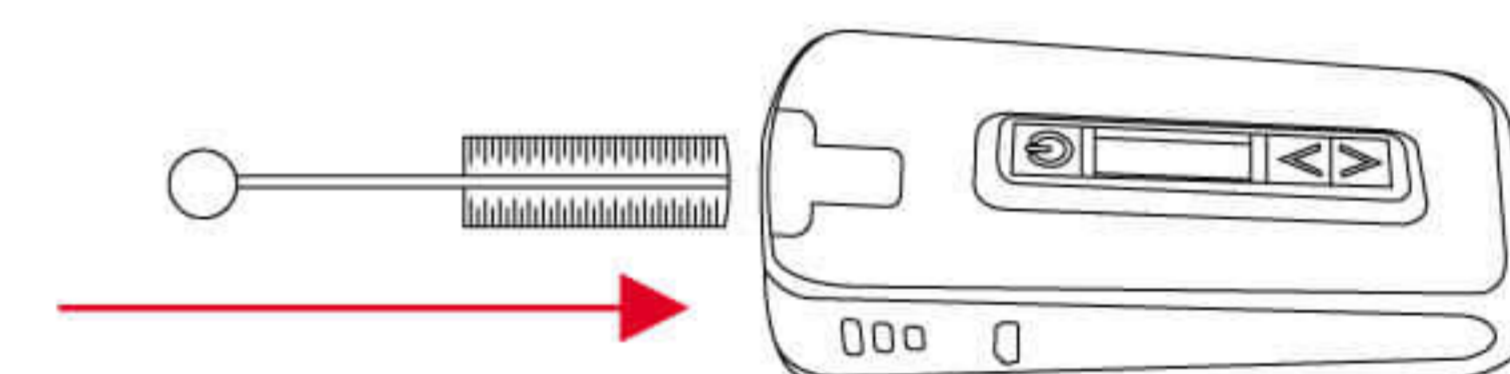
2. Incompatible chargers may carry a different voltage, which may be a fire hazard, for this reason, we strongly request to use supplied charger along with the package. The use of any charging unit with a different voltage will void the limited warranty offered on the device.

3. In order to prevent overheating, pls don't leave the charger plugged in overnight.

⑧

### CLEANING AND MAINTAINING

-Lock the device before cleaning, remove the mouthpiece and empty the chamber completely.  
-To cleaning the heating chamber, use the cleaning brush to gently remove any excess particles inside and around the chamber.



#### Note:

1. While using the device, portions of the device may reach high temperatures. Don't clean or disassemble the device until all portions of the device has cooled completely.

2. Don't immerse the device in liquid of any kind, it will damage the heating element)

⑨

### IMPORTANT SAFETY INFORMATION

**WARNING:** Internal parts of the device reach high temperatures. Use caution when accessing the chamber.

-Keep out of reach of children.

-Do not dismantle the device for the cleaning and maintenance instructions, which is beyond of warranty service.

-Do not touch the heating cup for at least 10 minutes after use as it will be very hot.

-Use only provided power supply to charge battery, use of any other power supply is dangerous and which can't call for warranty.

This vaporizer is designed for legal dry herb as an aroma therapy device, not for Tobacco use. Refrain from using this product if you are under the legal smoking age in your state, pregnant or nursing. This product is not an aid for smoking cessation.

⑩

### WARRANTY INFORMATION

The device has 1 year limited warranty which covers your vaporizer against defects in manufacturing, parts and labor. If any quality issue is during the warranty coverage, we will fix or replace it. The unit must be returned in its original packaging along with receipt of purchase.